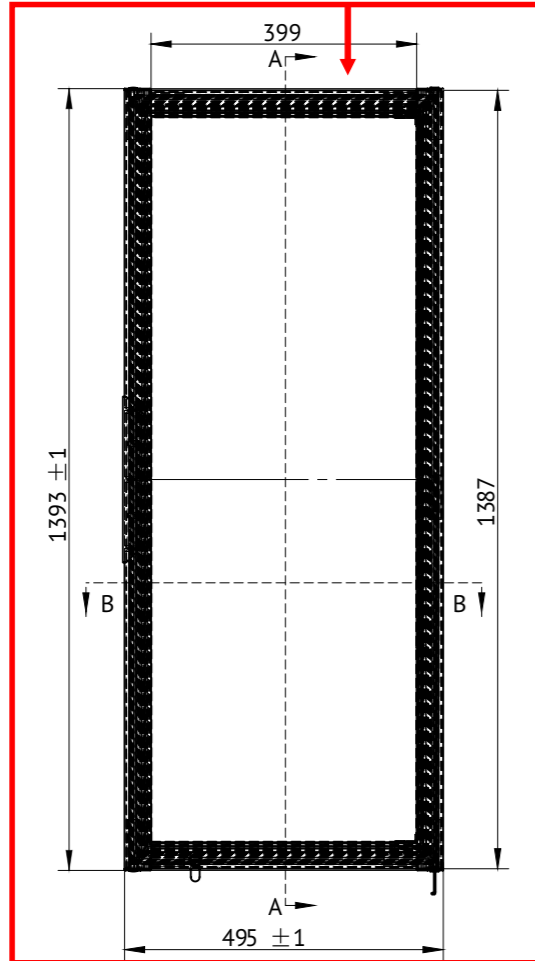
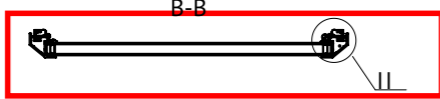


Material Code

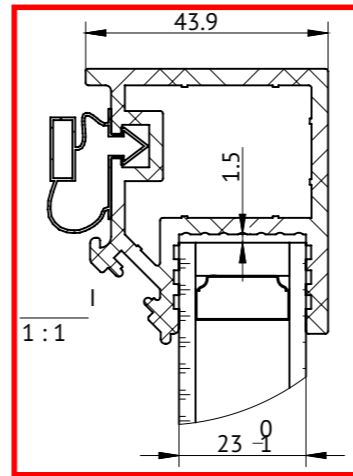
Please indicate the detailed size of the product.



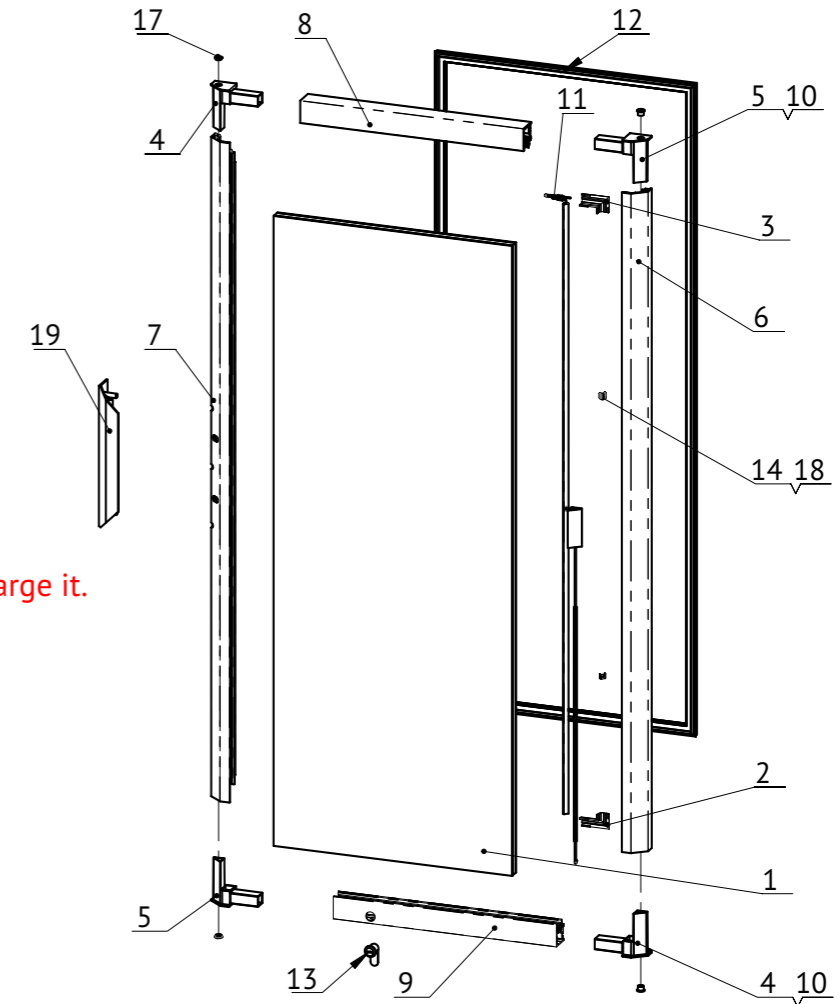
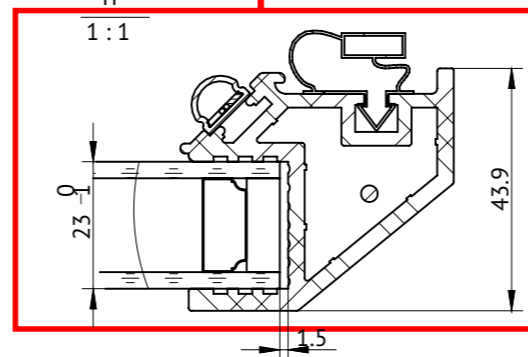
If the drawing is too small, please subdivide and enlarge it.



Please mark the material and thickness.



If the drawing is too small, please subdivide and enlarge it.



Serial Number	Item	Specification	Quantity	Material	Net Weight	Net Weight	Remark
19	Handle		1	ABS	0.15	0.15	
18	Cross Recessed Pan Head Tapping Screws	ST3.5x9.5(White Zinc Plated)	2	Q235A	0.00	0	
17	Nut Cover		2	ABS	0.00	0	
16	Steel Support		1	PVC	0.03	0.03	
15	Steel Branch		1	Q235A	0.11	0.11	
14	Snap		2	301 t=0.3	0.00	0	
13	Door Lock		1	Galvanized	0.06	0.06	
12	Magnetic Door Seal	1359x467	1	Nitrile Rubber	0.18	0.18	
11	LED White Light Strip		1	Assembly Parts	0.07	0.07	
10	Copper Sets		2	Coppe	0.00	0	
9	Door Frame Bar (Bottom)	399	1	PVC	0.39	0.39	
8	Door Frame Bar (Top)	399	1	PVC	0.39	0.39	

Serial Number	Item	Specification	Quantity	Material	Net Weight	Gross Weight	Remark
7	Door Frame Tight Strip (Left with Handle)		1	PVC	1.04	1.04	
6	Door Frame Tight Strip (Right)		1	PVC	1.04	1.04	
5	Door Code (Right)		2	ABS	0.04	0.08	
4	Door Code (Left)		2	ABS	0.03	0.06	
3	Lamp Trough Decorative Cover (Right)		1	ABS	0.00	0	
2	Lamp Trough Decorative Cover (Left)		1	ABS	0.00	0	
1	CCP Glass		1	Assembly Parts	10.86	10.86	

Content Change:			Door Assembly (With Handle)			Code: LGD-800H	
Marks			Factory Code:				
Design	Order Number Changed	Signature	Grade Identification		Weight(kg)	Proportion	Material: Assembly Parts
Audit		Standardization	SA		14.48	1:10	Total 1 Sheet / 1st Sheet
Craft		Inference	Date		20 21 / 11 /13		
			Procool Refrigeration				